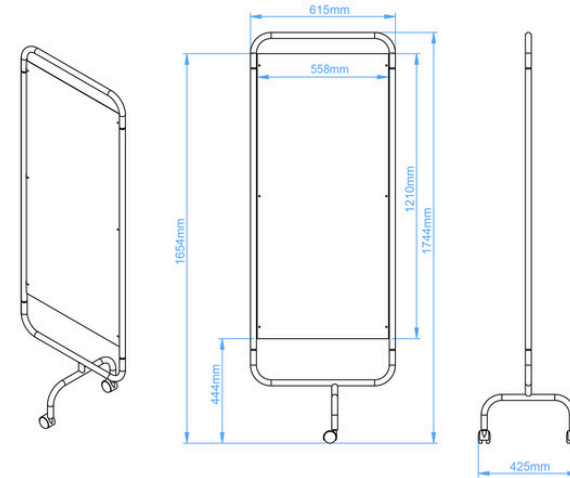


# Ward Screens



## MWS001, MWS003, MWS005

The Shuttleworth Mobile Ward Screens offer a versatile, hygienic solution for creating both permanent and temporary privacy zones in clinical environments.

Designed with infection control in mind, the screens feature durable, corrosion-resistant frames coated in white epoxy, with hygienic PVC panel inserts that are simple to clean and disinfect.

Supplied fully assembled, they are easily manoeuvrable on smooth swivel castors and offer convenient fold-up design for compact storage.

This range delivers a robust, reliable, and hygienic privacy solution, particularly useful for adaptable healthcare settings where space, safety, and cleanliness are paramount.

These ward screens have been used heavily within the NHS for COVID-19 vaccine centres across the country.

Code	Total Width	Total Height	Total Depth	Each Panel Dimensions
MWS001	184.5cm	174.5cm	42.5cm	121 x 56cm
MWS003	246cm	174.5cm	42.5cm	121 x 56cm
MWS005	307.5cm	174.5cm	42.5cm	121 x 56cm

### Configuration

- MWS001: 3 Panel Ward Screen, Solid Panels- White
- MWS003: 4 Panel Ward Screen, Solid Panels- White
- MWS005: 5 Panel Ward Screen, Solid Panels- White



Find our products on the NHS Supply Chain Catalogue

